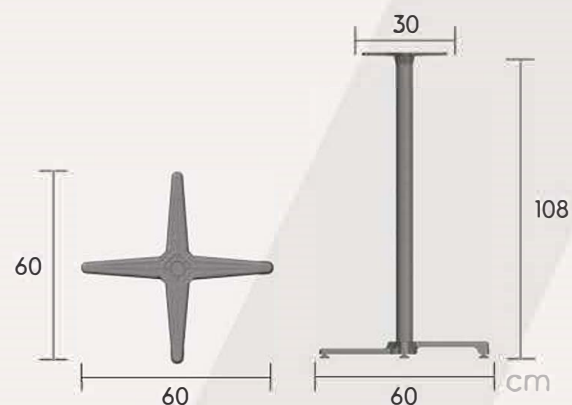


NEO-707003



RECYCLABLE PRODUCT



DISASSEMBLED



ADJUSTABLE FEET

MATERIAL

• Column dia. 60 mm aluminum extrusion, base & cross high pressure die casting

COLOR OPTIONS



White



Black



Others

Finishing: Powder coating
Standard Colors: Black & white.

Any specific colours are available with MOQ-100 pcs.



BOX DIMENSIONS



PCS/ BOX	LENGTH (cm)	WIDTH (cm)	HEIGHT (cm)	NET WEIGHT (kg)	GROSS WEIGHT (kg)	VOLUME m ³
1 pcs/ 2 box	48.5	46.5	9.0	4,28	5,04	0,030
	108.0	7,0	6,5			

LOGISTIC INFO

672 pcs



1,440 pcs



1,584 pcs

